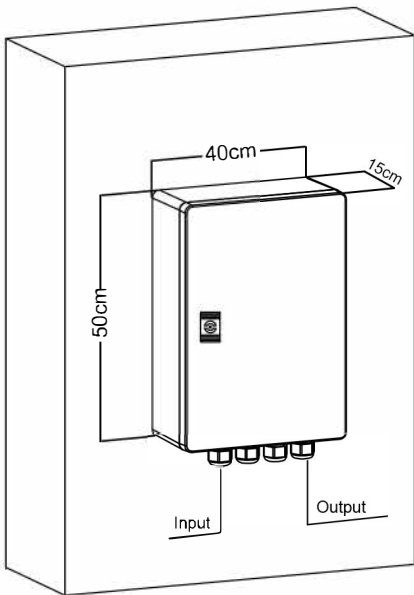
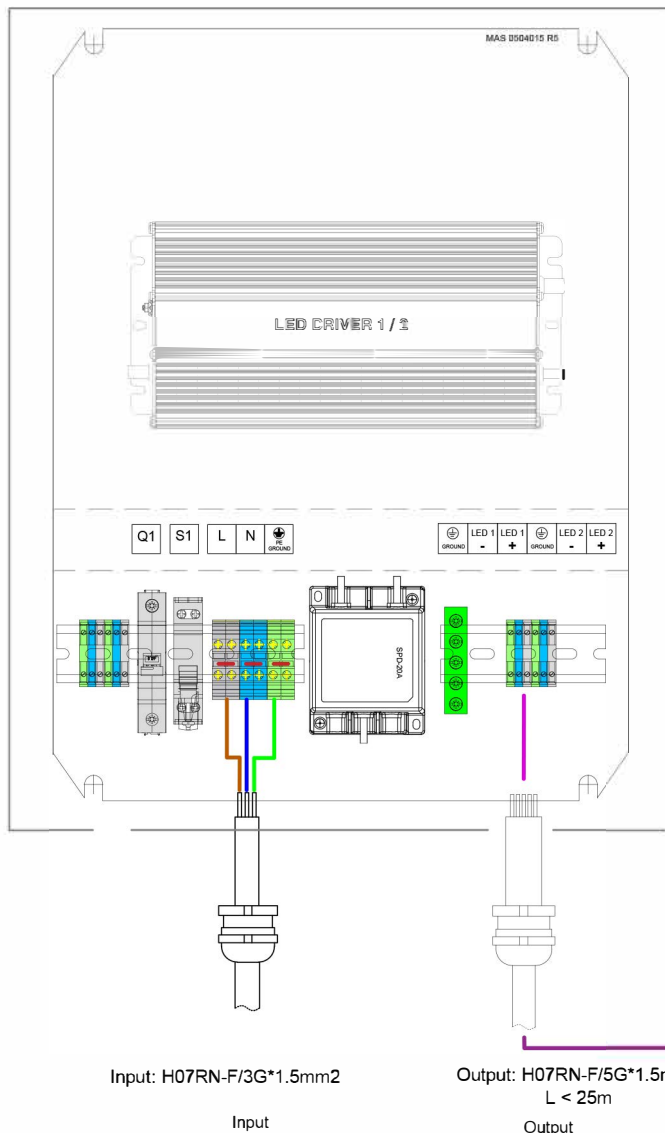


## Electrical connection | Driver box

### Driver box mounting



PG cable gland must be under the box  
in order to ensure waterproof



**CARDI**  
Belysning från Elektroskandia